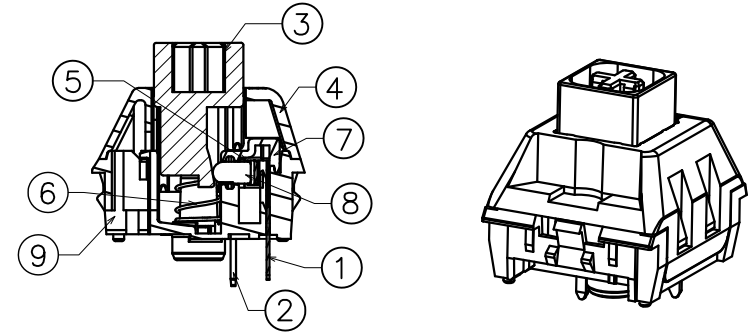
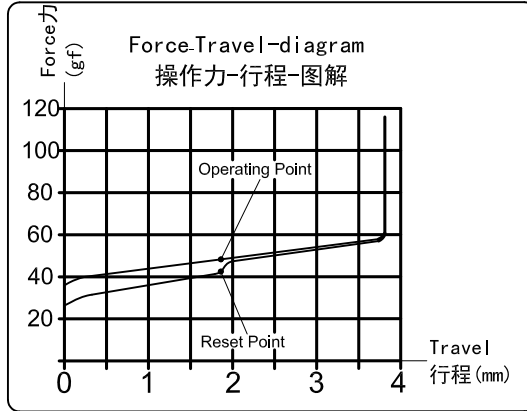
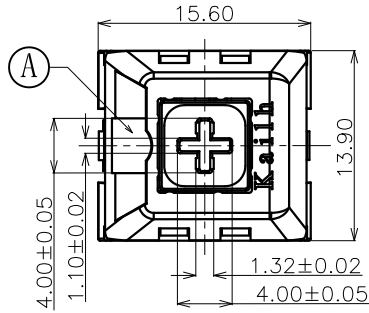


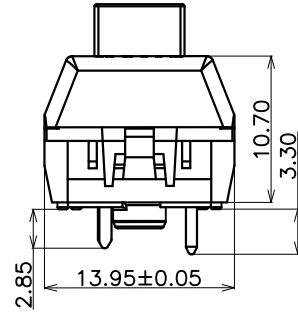
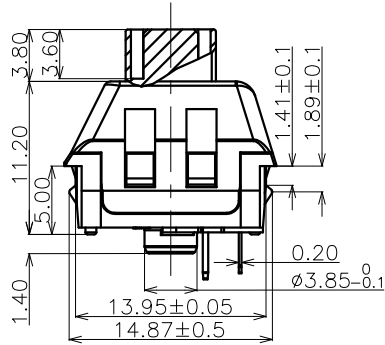
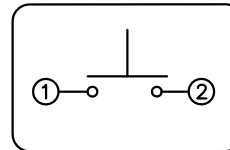
ABIDE BY ROHS

Red shaft

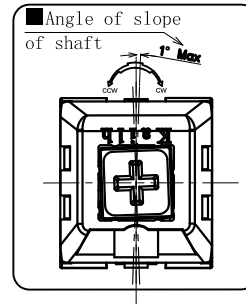
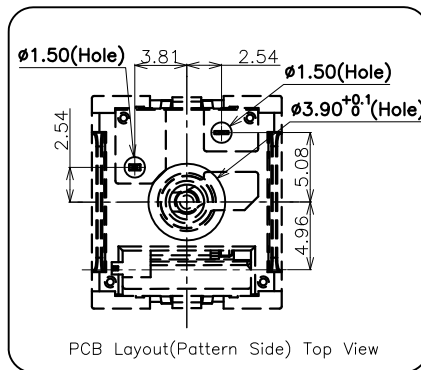
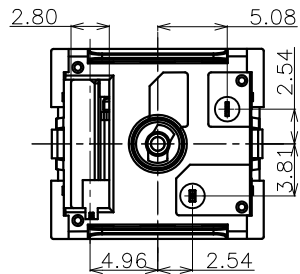


- Specification :
- 1. Rating: 12 VAC/DC max. 2 VDC min. 10mA AC/DC max. 10μA DC min.
  - 2. Contact Resistance: 200mΩ Max
  - 3. Insulation Resistance: 100MΩ Min. (DC100V)
  - 4. Withstand Voltage: AC100V (50-60Hz) for 1 minute
  - 5. Operation Force: 45±10gf
  - 6. Return Force: ≥15gf
  - 7. Conduction travel: 1.80±0.3mm
  - 8. Total travel: 3.60±0.3mm
  - 9. Electrical Life: 80,000,000 Cycles(min).
  - 10. Degree of protection: IP56(excluding the terminals)
- <Feel is allowed to have difference before and after life test>

■ SWITCH FUNCTION



B



⑨	Base	1	PA66	White		
⑧	Slider	1	POM	Green		
⑦	Protecting Cover	1	PA66	Nature		
⑥	Spring	1	Stainless Steel	Nature		
⑤	Contact	2	Composite gold			
④	Cover	1	PC	Nature		
③	Keystroke	1	POM	Red		
②	Static Plate	1	Brass	Plating Ni		
①	Movable Plate	1	Copper Alloy	Nature		
ITEM	PART NAME	TER'NO.	QTY.	MATERIAL	FINISHING	REMARK

APPROVALS		DATE	DONGGUAN CITY KAIHUA ELECTRONICS CO.,LTD
DRAWN	L.Zhang	2016.12.12	

CHECKED		TITLE:	PG1511F Keystroke Switch(Red shaft)
---------	--	--------	-------------------------------------

APPROVALS		PART NO.	CPG1511F01S04
-----------	--	----------	---------------

TOLERANCES ARE	30<L ≤30 ±0.30 10<L ≤30 ±0.20 5<L ≤10 ±0.15 L ≤5 ±0.10	ANGLE	±2'	UNIT: mm	SCALE: 1:1	PROJ:
----------------	---	-------	-----	----------	------------	-------

DRAWING NO.	KHA-PG1511F-004EN	SHEET	1 OF 1
-------------	-------------------	-------	--------

ECN-1801-02	C	2018.01.03	MODIFIED COVER SHAPE WITH STAMPED A POSITION	L.Zhang		
	B	2017.04.11	MODIFIED KEYSTROKE WITH STAMPED A POSITION	L.Zhang		
	A	2016.12.12	NEW	L.Zhang		
ECN NO.	REV.	DATE.	DESCRIPTION.	CHANGE.	CHECK.	APPRO.