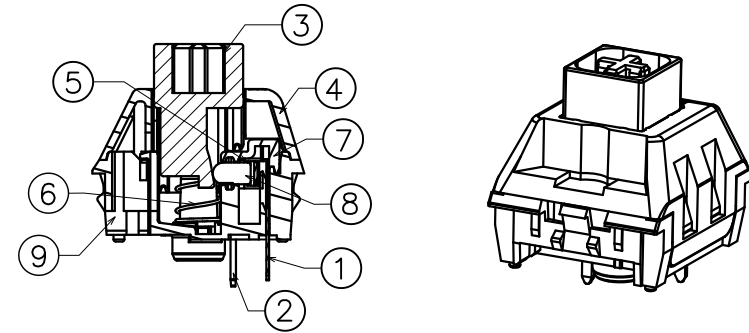
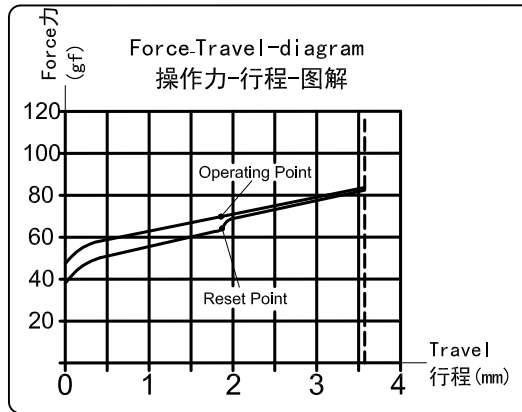
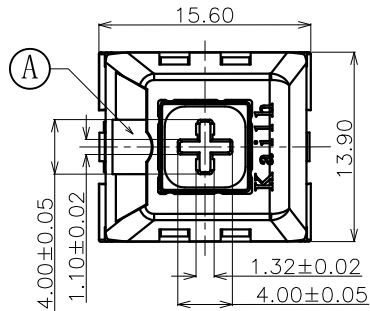


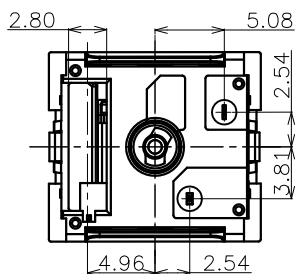
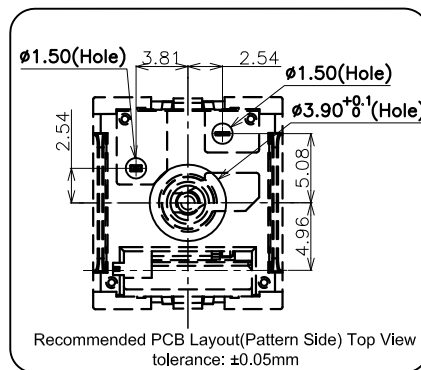
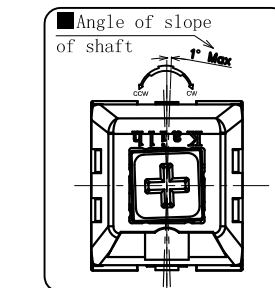
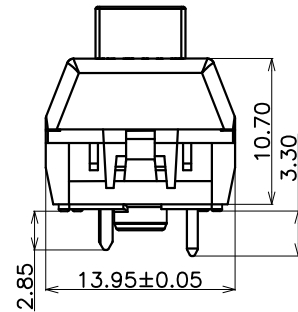
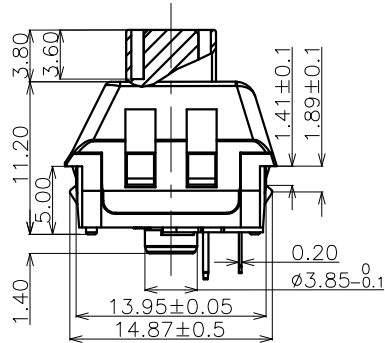
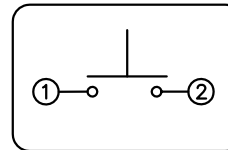
ABIDE BY ROHS

Dark Yellow shaft



- Specification :
- 1. Rating: 12 VAC/DC max. 2 VDC min.
10mA AC/DC max. 10μA DC min.
 - 2. Contact Resistance: 200mΩ Max
 - 3. Insulation Resistance: 100MΩ Min. (DC100V)
 - 4. Withstand Voltage: AC100V (50-60Hz) for 1 minute
 - 5. Operation Force: 70±10gf
 - 6. Return Force ≥15gf
 - 7. Conduction travel: 1.80mm±0.3mm
 - 8. Total travel: 3.6±0.3mm
 - 9. Operating Life : 80,000,000 Cycles(min).
 - 10. Degree of protection: IP56(excluding the terminals)
- <Feel is allowed to have difference before and after life test>

■ SWITCH FUNCTION



ITEM	PART NAME	TER'NO.	QTY.	MATERIAL	FINISHING	REMARK
⑨	Base	1	1	PA66	White	
⑧	Slider	1	1	POM	Green	
⑦	Protecting Cover	1	1	PA66	Nature	
⑥	Spring	1	1	Stainless Steel	Nature	
⑤	Contact	2	2	Composite gold		
④	Cover	1	1	PC	Nature	
③	Keystroke	1	1	POM	Dark Yellow	
②	Static Plate	1	1	Brass	Plating NI	
①	Movable Plate	1	1	Copper Alloy	Nature	

ITEM	PART NAME	TER'NO.	QTY.	MATERIAL	FINISHING	REMARK
------	-----------	---------	------	----------	-----------	--------

APPROVALS		DATE	DONGGUAN CITY KAIHUA ELECTRONICS CO.,LTD		
-----------	--	------	--	--	--

DRAWN	L.Zhang	2017.06.15	Kailh		
-------	---------	------------	-------	--	--

CHECKED			TITLE:	Keystroke Switch(Dark Yellow Shaft)
---------	--	--	--------	-------------------------------------

APPROVALS			PART NO.	CPG1511F01S08
-----------	--	--	----------	---------------

TOLERANCES ARE	30<L	±0.30	ANGLE	UNIT: mm	SCALE: 1:1	PROJ:
	10<L≤30	±0.20				
	5<L≤10	±0.15				
	L≤5	±0.10				

ECN NO.	REV.	DATE.	DESCRIPTION.	CHANGE.	CHECK.	APPRO.
ECN-1801-02	B	2018.01.03	MODIFIED COVER SHAPE WITH STAMPED A POSITION	L.Zhang		
	A	2017.06.15	NEW	L.Zhang		